

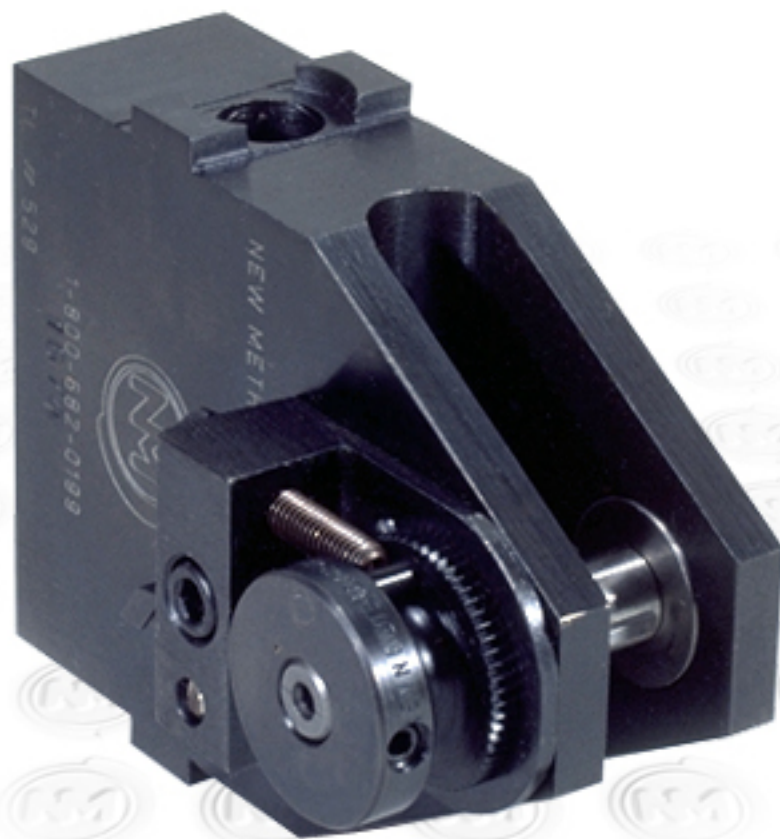


Since 1931

New Method Steel Stamps, Inc.

31313 Kendall Ave, P.O. Box 338 – Fraser, Michigan 48026 – USA
(586) 293-0200 * (800) 582-0199 – Fax (586) 296-1900 .Email: info@newmethod.com

model
523



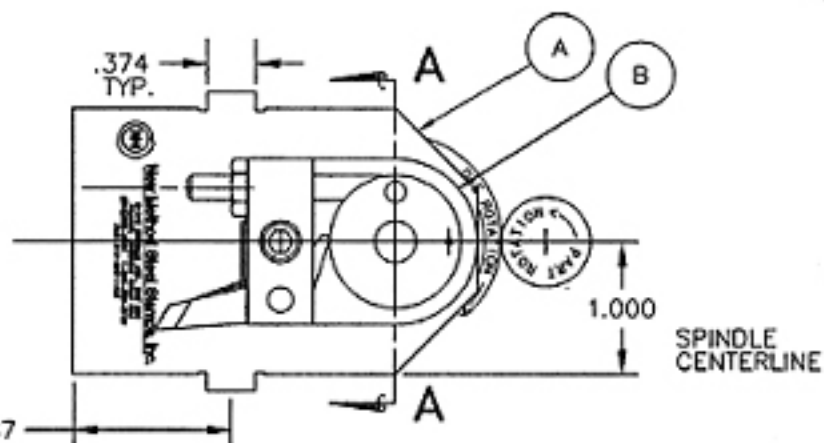
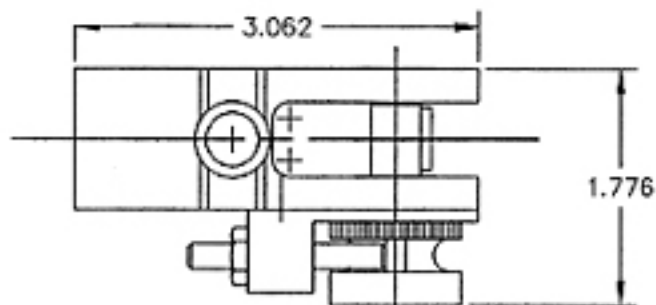


Since 1931

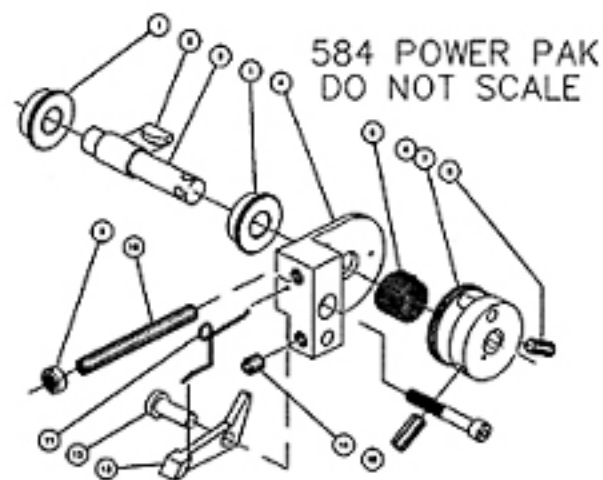
New Method Steel Stamps, Inc.

31313 Kendall Ave, P.O. Box 338 – Fraser, Michigan 48026 – USA
(586) 293-0200 * (800) 582-0199 – Fax (586) 296-1900 .Email: info@newmethod.com

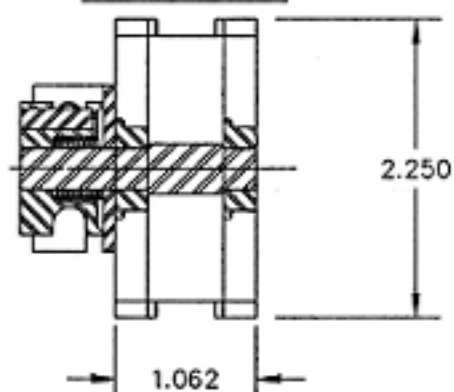
523



- A: 1323 SHANK
- B: 584 POWER PAK
(585 POWER PAK FOR REVERSE ROTATION)



SECTION A-A



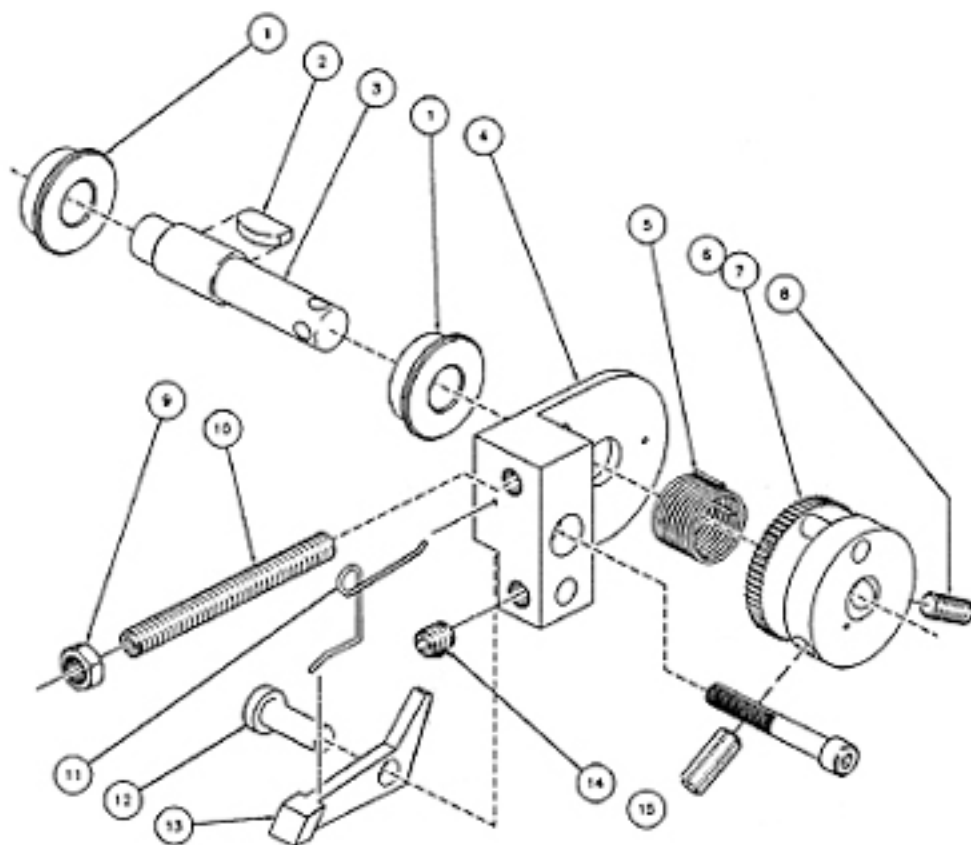


Since 1931

New Method Steel Stamps, Inc.

31313 Kendall Ave, P.O. Box 338 – Fraser, Michigan 48026 – USA
(586) 293-0200 * (800) 582-0199 – Fax (586) 296-1900 .Email: info@newmethod.com

584 POWER PAK



USED ON
ALL 1544
BASED
SHANKS
523
529

15	1229	1	SOCKET HEAD CAP SCREW
14	1015	1	SET SCREW
13	1100	1	RATCHET PAWL
12	1462	1	AXLE, RATCHET PAWL
11	1456	1	SPRING, RATCHET PAWL
10	1099	1	SET SCREW
9	1250	1	JAM NUT
8	1015	2	SET SCREW
7	1097	1	STOP PIN
6	1066	1	CAP
5	1104	1	SPRING, ROLL RETURN
4	1461	1	BLOCK & ASSY PLATE
3	1087	1	AXLE
2	1084	1	WOODRUFF KEY
1	1089	2	BUSHING
ITEM#	CAT. #	QTY	DESCRIPTION

(585 POWER PAK FOR REVERSE ROTATION)