

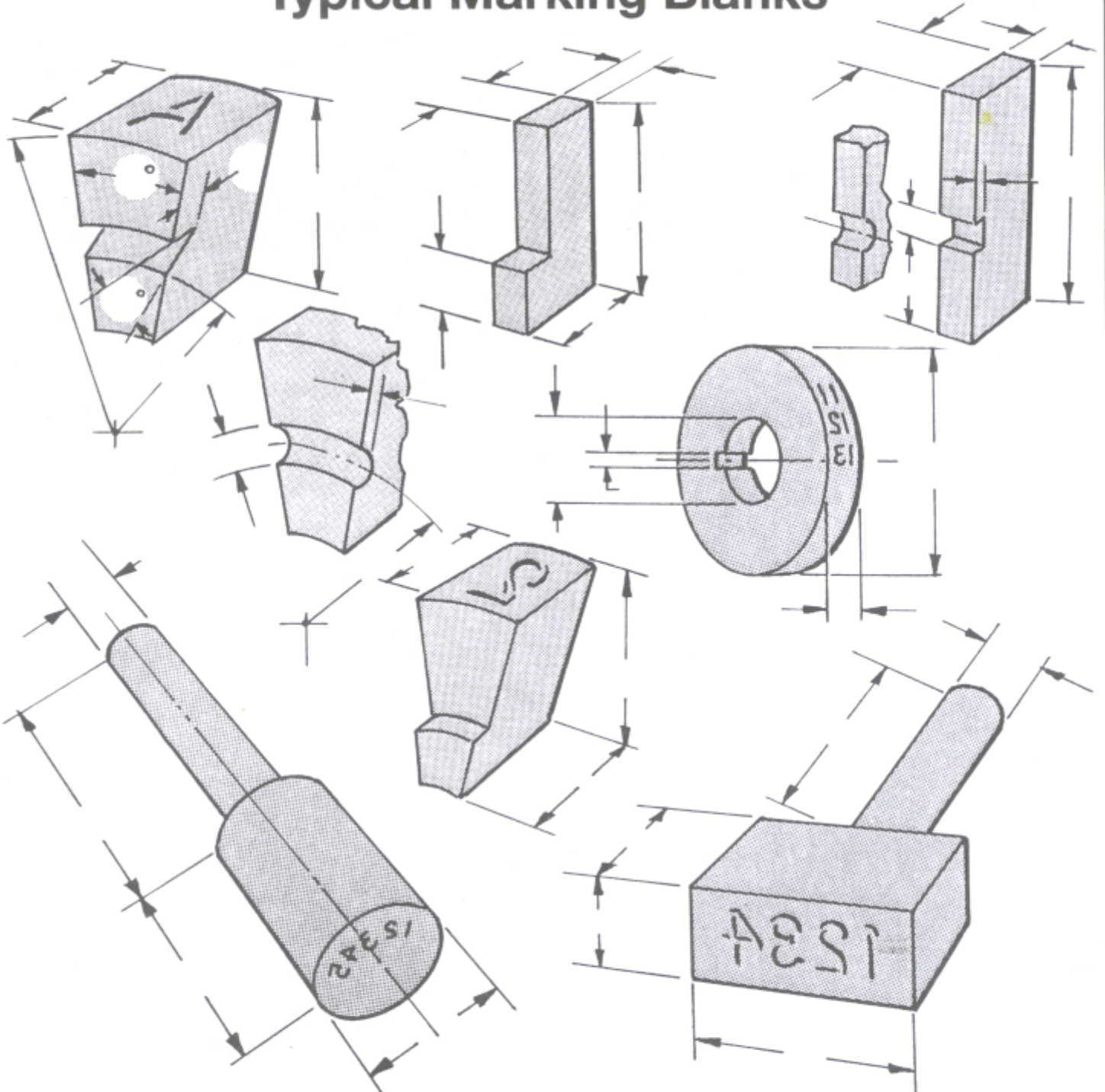


Since 1931

New Method Steel Stamps, Inc

31313 Kendall Ave. • P.O. Box 338 • Fraser, Michigan 48026 • USA
586.293.0200 • 800.582.0199 • Fax: 586.296.1900 • info@newmethod.com

Typical Marking Blanks



Above are typical blanks commonly used in marking. Dimensions as shown by arrows should be filled in. Indicate size and amount of characters and how they would appear on blank.

Other blanks should be sketched like above with all necessary dimensions, or a sample blank should be submitted.