



Since 1931

New Method Steel Stamps, Inc.

31313 Kendall Ave, P.O Box 338 – Fraser, Michigan 48026 – USA
(586) 293-0200 * (800) 582-0199 – Fax (586) 296-1900 .Email: info@newmethod.com

model
951





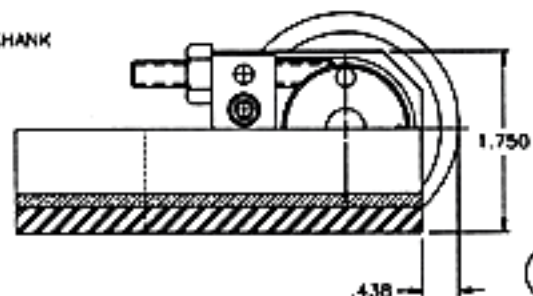
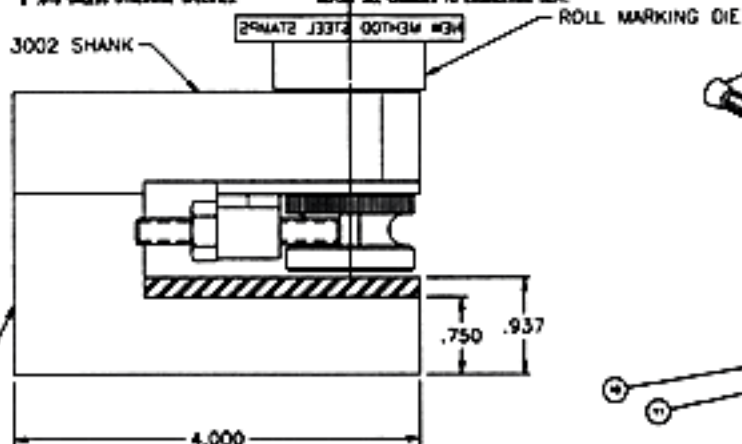
Since 1931

New Method Steel Stamps, Inc.

31313 Kendall Ave, P.O. Box 338 – Fraser, Michigan 48026 – USA
(586) 293-0200 * (800) 582-0199 – Fax (586) 296-1900 .Email: info@newmethod.com

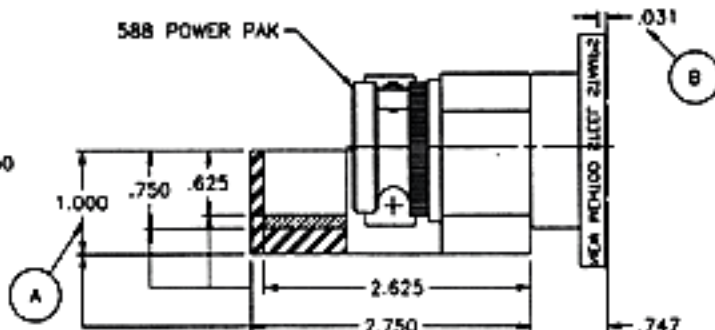
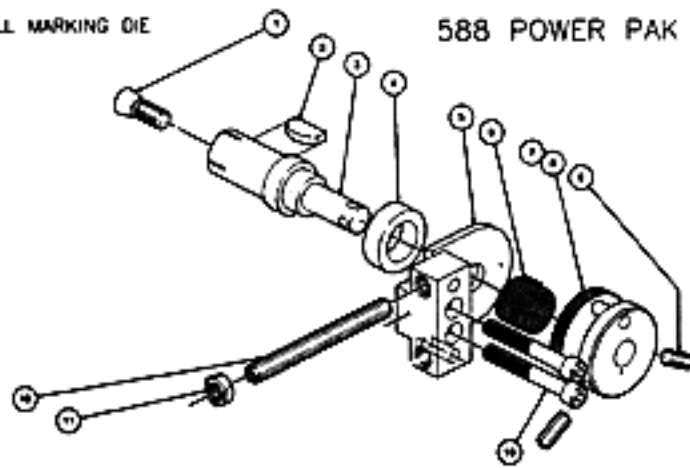
951

LISTED IN ALL FRACTIONAL TYPING DIMENSIONS DO NOT SCALE—RENDER ALL SHARP EDGES
& .015 VALUES UNLESS OTHERWISE SPECIFIED. REWORK ALL CHARACTERS TO CORRECTING SIZE.



- NOTE:
- (A) SPECIFY CENTERLINE HEIGHT REQUIRED
 - (B) DISTANCE TO MARKING WITH SOLID ROLL DIE FROM COLLET. WITH 541 RETAINER DIMENSION IS: .375 TO C/L OF CHAR.

588 POWER PAK





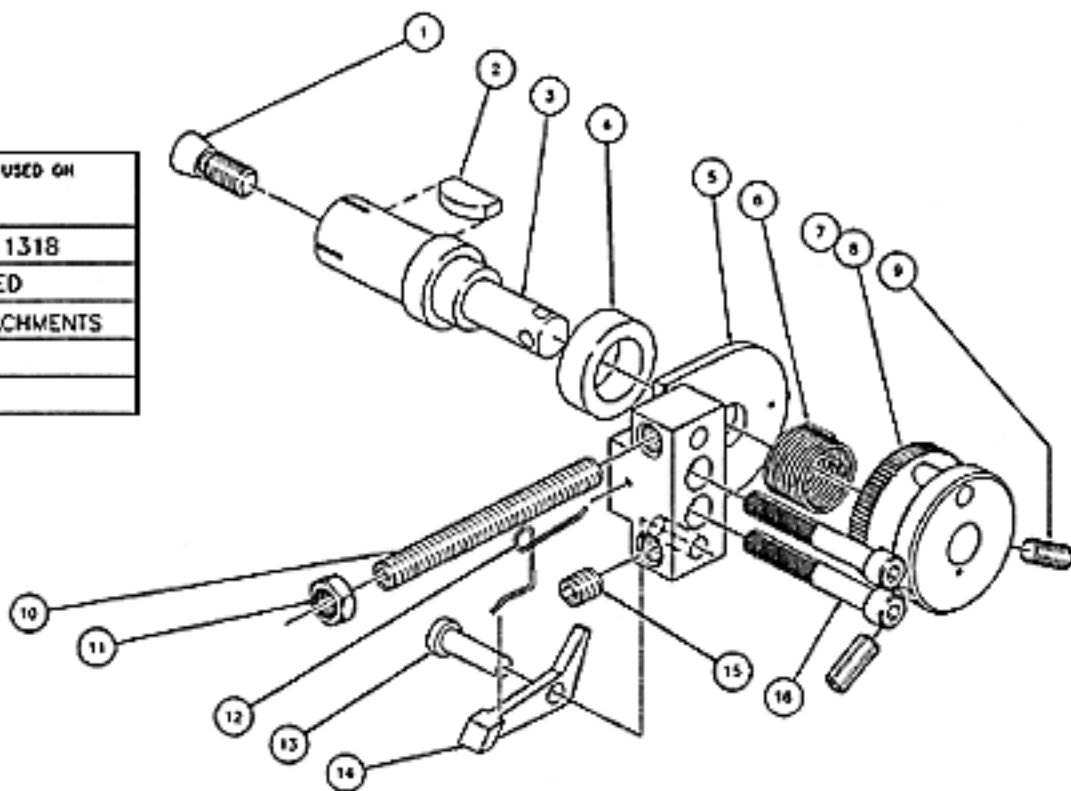
Since 1931

New Method Steel Stamps, Inc.

31313 Kendall Ave, P.O. Box 338 – Fraser, Michigan 48026 – USA
 (586) 293-0200 * (800) 582-0199 – Fax (586) 296-1900 .Email: info@newmethod.com

588 POWER PAK

USED ON
ALL 1318
BASED
ATTACHMENTS
951
553



16	1014	2	SOCKET HEAD CAP SCREW
15	1016	1	SET SCREW
14	1100	1	RATCHET PAWL
13	1011	1	AXLE RATCHET PAWL
12	1458	1	SPRING RATCHET PAWL
11	1018	1	JAW NUT
10	1019	1	SET SCREW
9	1015	2	SET SCREW
8	1002	1	STOP PIN
7	1001	1	CAP
6	1006	1	SPRING ROLL RETURN
5	1457	1	BLOCK & PLATE ASSY
4	1029	1	BUSHING
3	1754	1	AXLE
2	-	1	#6 WOODRUFF KEY
1	1003-A	1	TAPER SCREW
TEMP	CAT. #	QTY	DESCRIPTION