

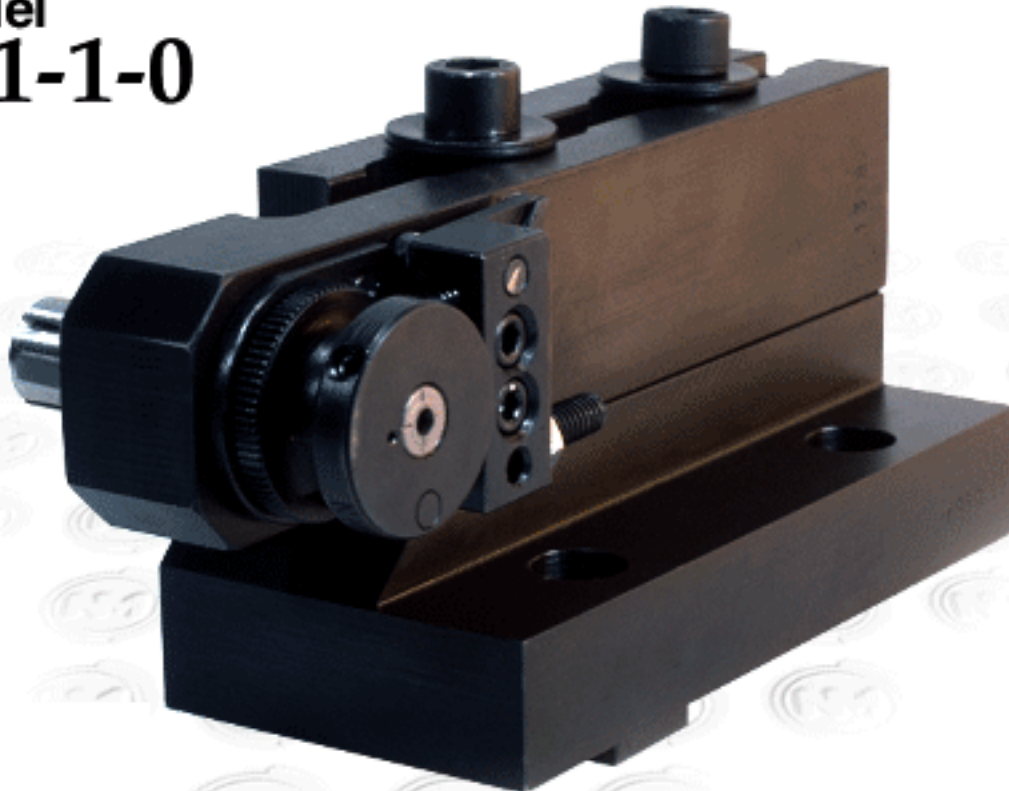


Since 1931

New Method Steel Stamps, Inc.

31313 Kendall Ave, P.O. Box 338 – Fraser, Michigan 48026 – USA
(586) 293-0200 * (800) 582-0199 – Fax (586) 296-1900 .Email: info@newmethod.com

model
681-1-0



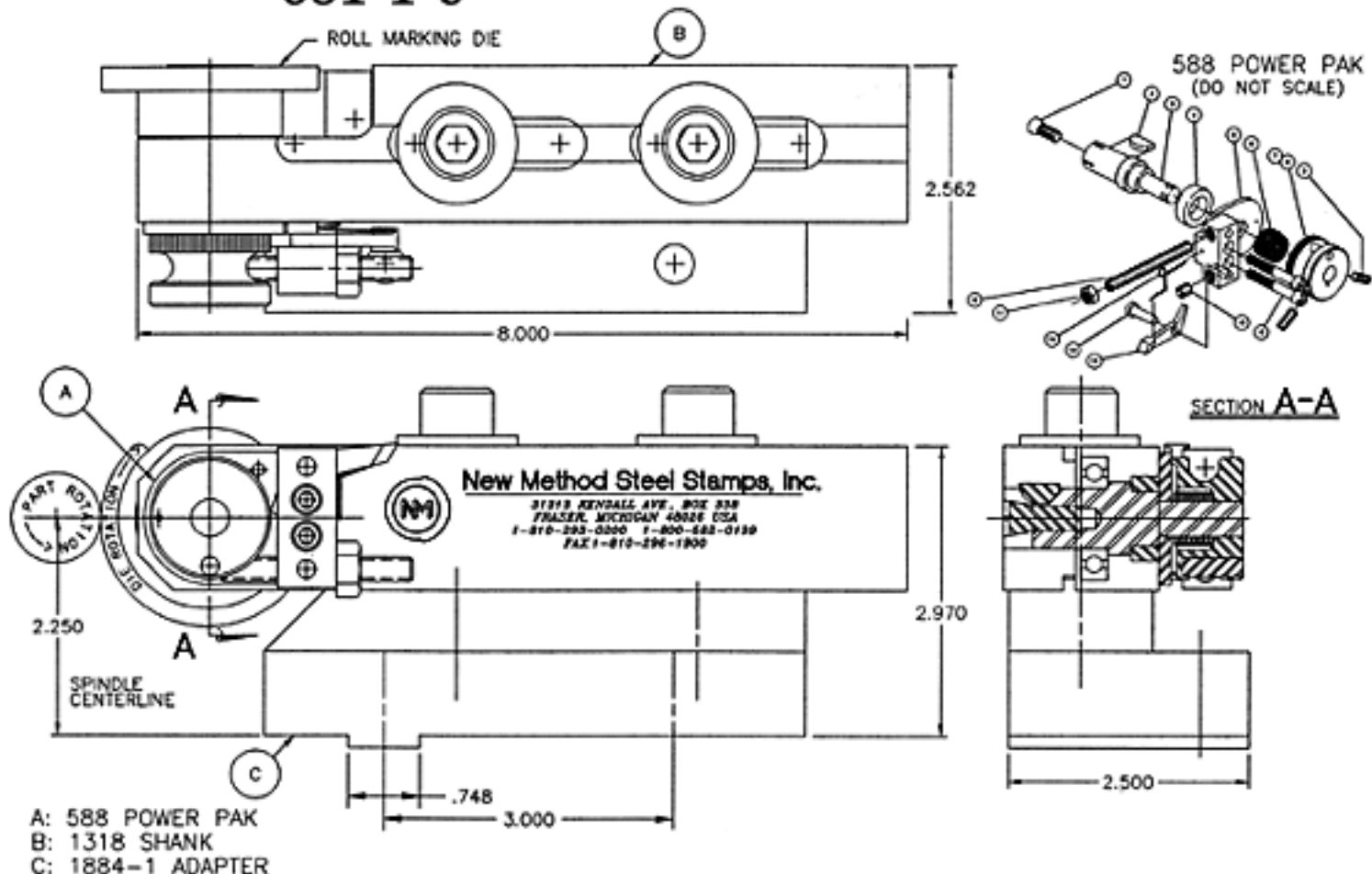


Since 1931

New Method Steel Stamps, Inc.

31313 Kendall Ave, P.O. Box 338 – Fraser, Michigan 48026 – USA
(586) 293-0200 * (800) 582-0199 – Fax (586) 296-1900 .Email: info@newmethod.com

681-1-0





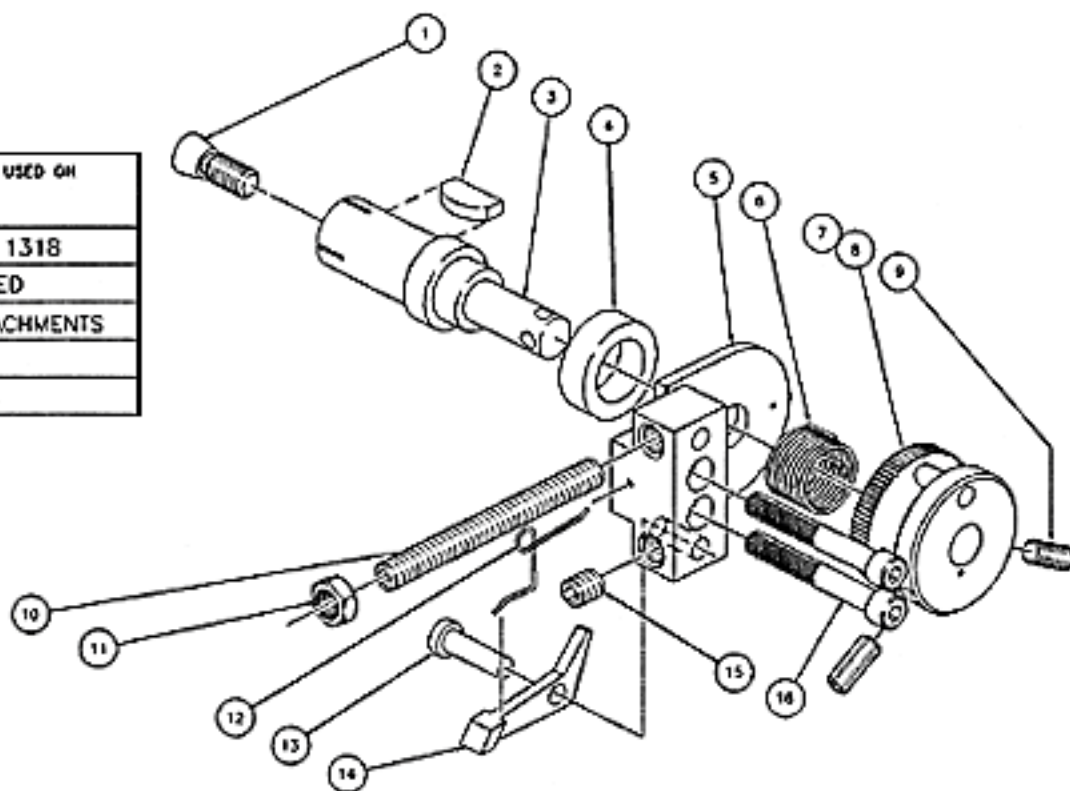
Since 1931

New Method Steel Stamps, Inc.

31313 Kendall Ave, P.O. Box 338 – Fraser, Michigan 48026 – USA
 (586) 293-0200 * (800) 582-0199 – Fax (586) 296-1900 .Email: info@newmethod.com

588 POWER PAK

USED ON
ALL 1318
BASED
ATTACHMENTS
951
553



16	1014	2	SOCKET HEAD CAP SCREW
15	1016	1	SET SCREW
14	1100	1	RATCHET PAWL
13	1011	1	AXLE RATCHET PAWL
12	1408	1	SPRING, RATCHET PAWL
11	1018	1	JHM NUT
10	1019	1	SET SCREW
9	1015	2	SET SCREW
8	1002	1	STOP PIN
7	1001	1	CAP
6	1006	1	SPRING, ROLL RETURN
5	1457	1	BLOCK & PLATE ASSY
4	1029	1	BUSHING
3	1754	1	AXLE
2	-	1	#5 WOODRUFF KEY
1	1000-A	1	TAPER SCREW
ITEM	CAT. #	QTY	DESCRIPTION