

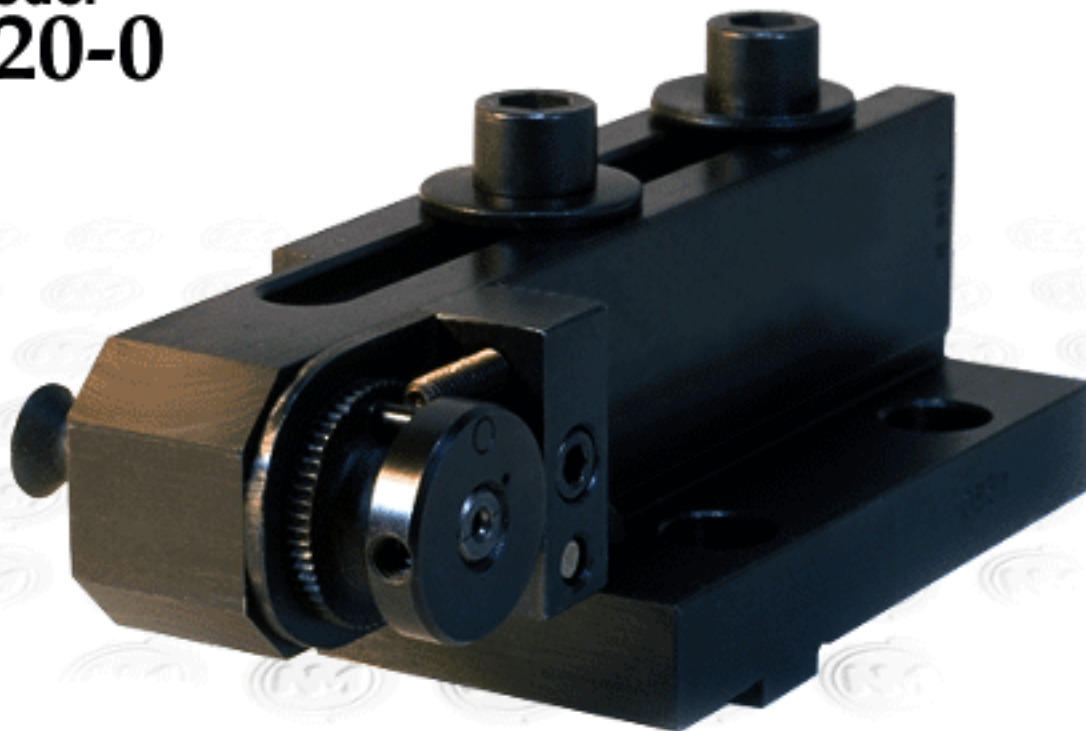


Since 1931

New Method Steel Stamps, Inc.

31313 Kendall Ave, P.O Box 338 – Fraser, Michigan 48026 – USA
(586) 293-0200 * (800) 582-0199 – Fax (586) 296-1900 .Email: info@newmethod.com

model
620-0



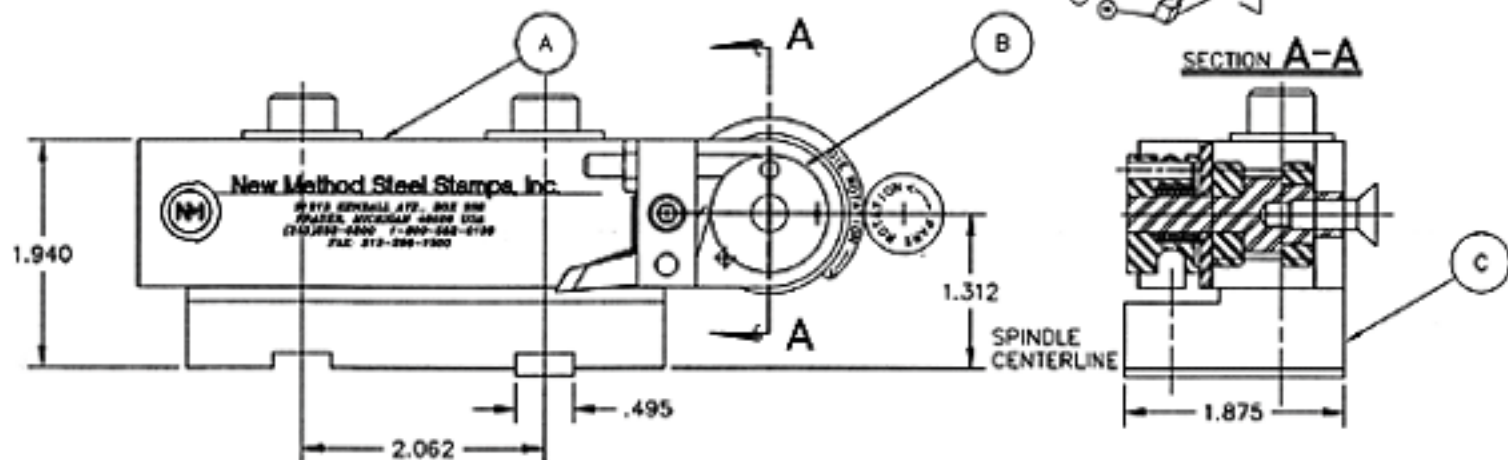
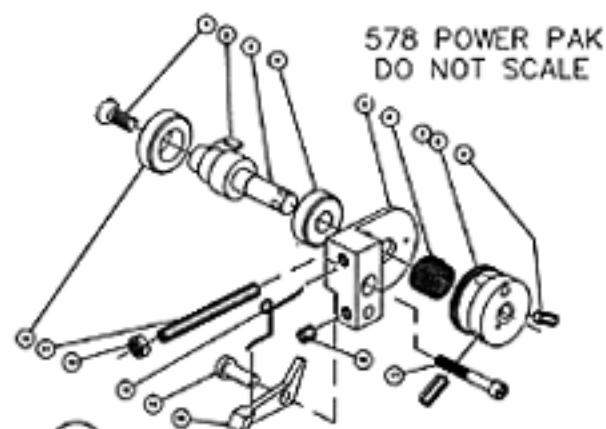
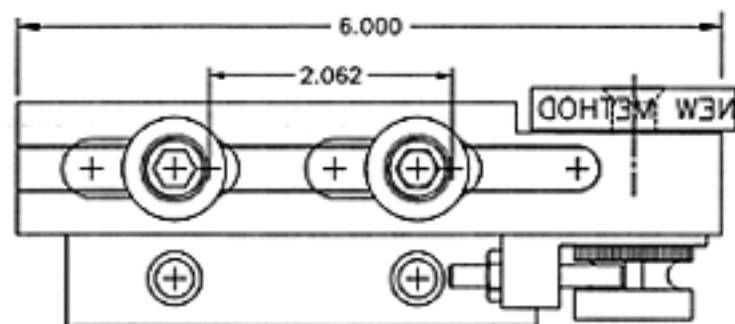


Since 1931

New Method Steel Stamps, Inc.

31313 Kendall Ave, P.O. Box 338 – Fraser, Michigan 48026 – USA
(586) 293-0200 * (800) 582-0199 – Fax (586) 296-1900 .Email: info@newmethod.com

620-0



- A: 1949 SHANK
- B: 578 POWER PAK
- C: 1550 ADAPTER

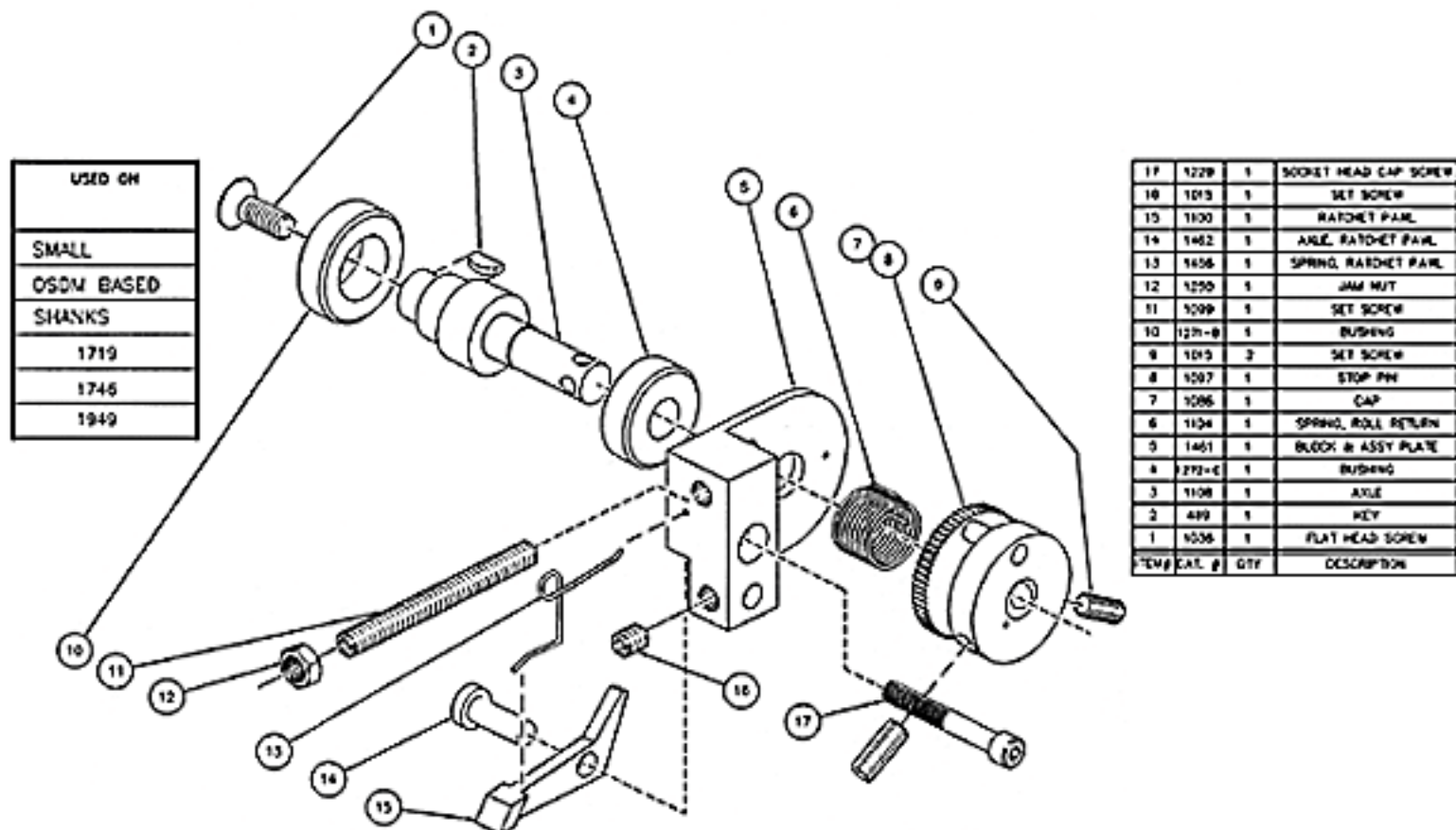


Since 1931

New Method Steel Stamps, Inc.

31313 Kendall Ave, P.O. Box 338 – Fraser, Michigan 48026 – USA
(586) 293-0200 * (800) 582-0199 – Fax (586) 296-1900 .Email: info@newmethod.com

578 POWER PAK



USED ON
SMALL
OSDM BASED
SHANKS
1719
1746
1949

ITEM #	CAT. #	QTY	DESCRIPTION
17	1229	1	SOCKET HEAD CAP SCREW
16	1013	1	SET SCREW
15	1100	1	RATCHET PAWL
14	1462	1	AXLE RATCHET PAWL
13	1456	1	SPRING RATCHET PAWL
12	1250	1	JAM NUT
11	1009	1	SET SCREW
10	1271-8	1	BUSHING
9	1013	2	SET SCREW
8	1007	1	STOP PIN
7	1006	1	CAP
6	1124	1	SPRING ROLL RETURN
5	1461	1	BLOCK & ASSY PLATE
4	1272-E	1	BUSHING
3	1108	1	AXLE
2	499	1	KEY
1	1036	1	FLAT HEAD SCREW