



Since 1931

New Method Steel Stamps, Inc.

31313 Kendall Ave, P.O Box 338 – Fraser, Michigan 48026 – USA
(586) 293-0200 * (800) 582-0199 – Fax (586) 296-1900 .Email: info@newmethod.com

model
604-1-0



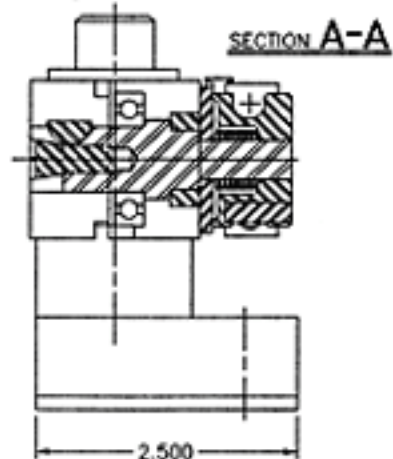
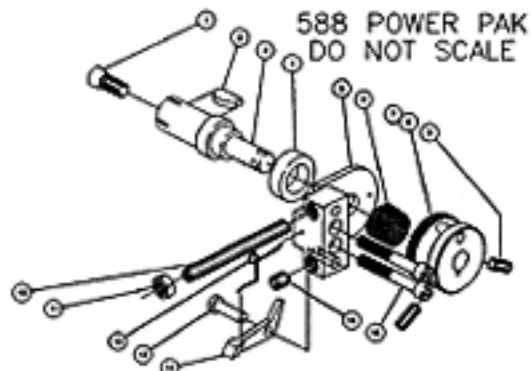
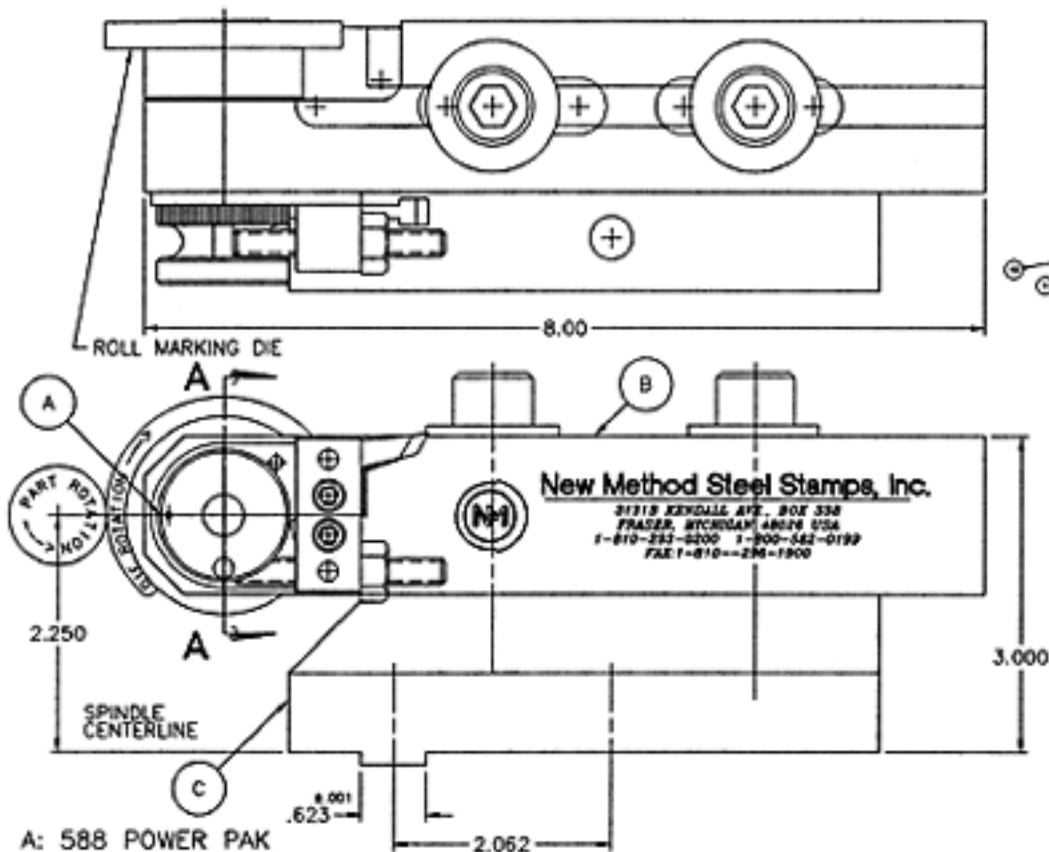


Since 1931

New Method Steel Stamps, Inc.

31313 Kendall Ave, P.O. Box 338 – Fraser, Michigan 48026 – USA
(586) 293-0200 * (800) 582-0199 – Fax (586) 296-1900 .Email: info@newmethod.com

604-1-0



- A: 588 POWER PAK
- B: 1318 SHANK
- C: 1569-1 ADAPTER

A- p885

USED ON

ALL 1318

BASED

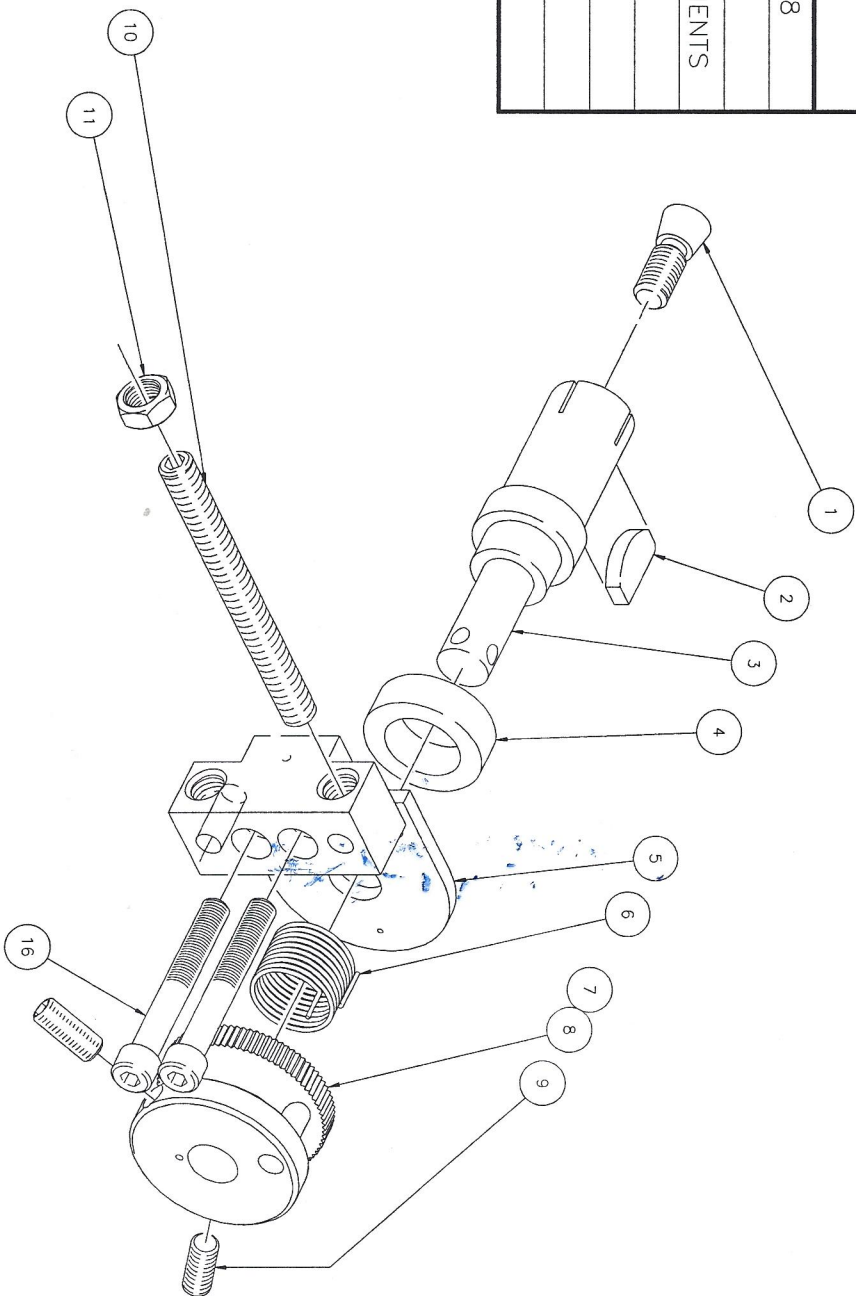
ATTACHMENTS

951

553

LIMITS ON ALL FRACTIONAL FINISH DIMENSIONS
± .010 UNLESS OTHERWISE SPECIFIED.

DO NOT SCALE-REMOVE ALL SHARP EDGES.
REPORT ALL CHANGES TO ENGINEERING DEPT.



| ITEM# | CAT. # | QTY | DESCRIPTION |
|-------|--------|-----|-----------------------|
| 16 | 1014 | 2 | SOCKET HEAD CAP SCREW |
| 11 | 1018 | 1 | JAM NUT |
| 10 | 1019 | 1 | SET SCREW |
| 9 | 1015 | 2 | SET SCREW |
| 8 | 1002 | 1 | STOP PIN |
| 7 | 1001 | 1 | CAP |
| 6 | 1006 | 1 | SPRING, ROLL RETURN |
| 5 | 1457 | 1 | BLOCK & PLATE ASSY |
| 4 | 1029 | 1 | BUSHING |
| 3 | 1754 | 1 | AXLE |
| 2 | - | 1 | #6 WOODRUFF KEY |
| 1 | 1050-A | 1 | TAPER SCREW |

NEW METHOD STEEL STAMPS, INC.
FRASER MICHIGAN

NAME
SPARE PARTS LIST

MAT'L.

PART NO.

ROCKWELL
C³ SCALE
HEAT TREAT
MFR'S. STD.

588a-A

| LET | CHANGE | DATE | DRAWN | MPM | SCALE | N/A | DATE |
|-----|--------|------|---------|----------------------------|----------|-----|------|
| - | - | - | q | REMOVED RATCHET PAWL, ETC. | 01/98 | | |
| LET | CHANGE | DATE | CHECKED | - | 03/25/95 | | |