

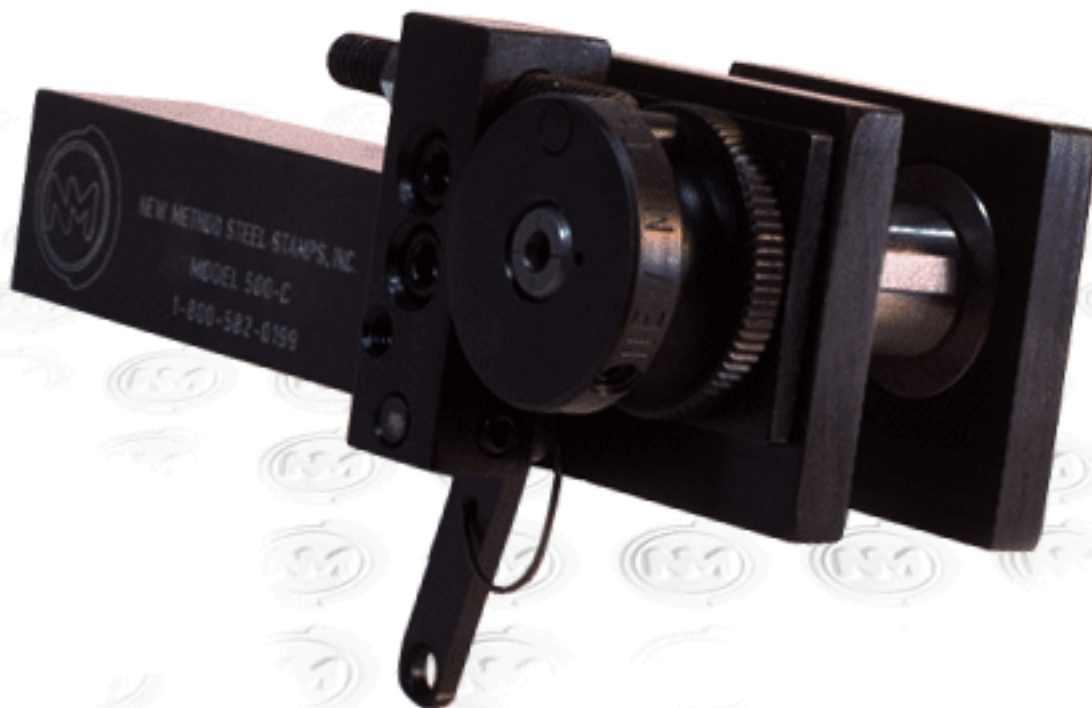


Since 1931

# New Method Steel Stamps, Inc.

31313 Kendall Ave, P.O. Box 338 – Fraser, Michigan 48026 – USA  
(586) 293-0200 \* (800) 582-0199 – Fax (586) 296-1900 .Email: [info@newmethod.com](mailto:info@newmethod.com)

model  
**500-C**



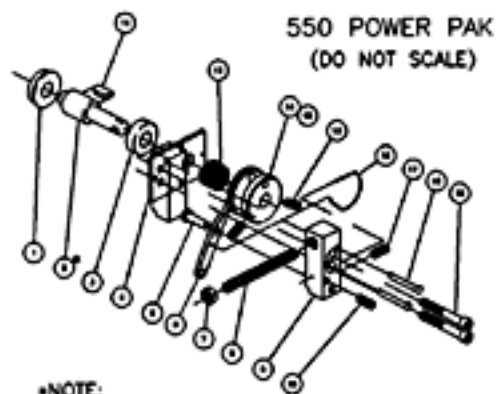
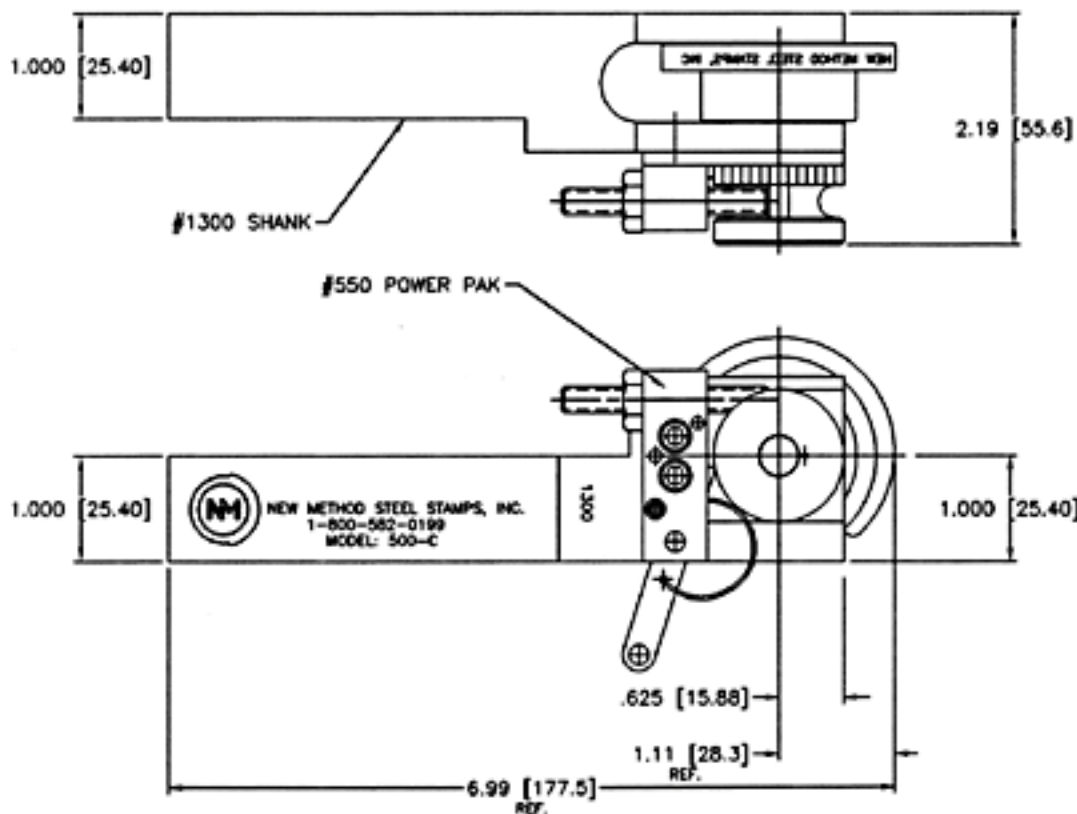


Since 1931

# New Method Steel Stamps, Inc.

31313 Kendall Ave, P.O. Box 338 – Fraser, Michigan 48026 – USA  
(586) 293-0200 \* (800) 582-0199 – Fax (586) 296-1900 .Email: info@newmethod.com

## 500-C



**\*NOTE:**  
DETAIL #2, P/N 1005  
IS P/N 1005-1/2  
FOR GREENLEE MFG.

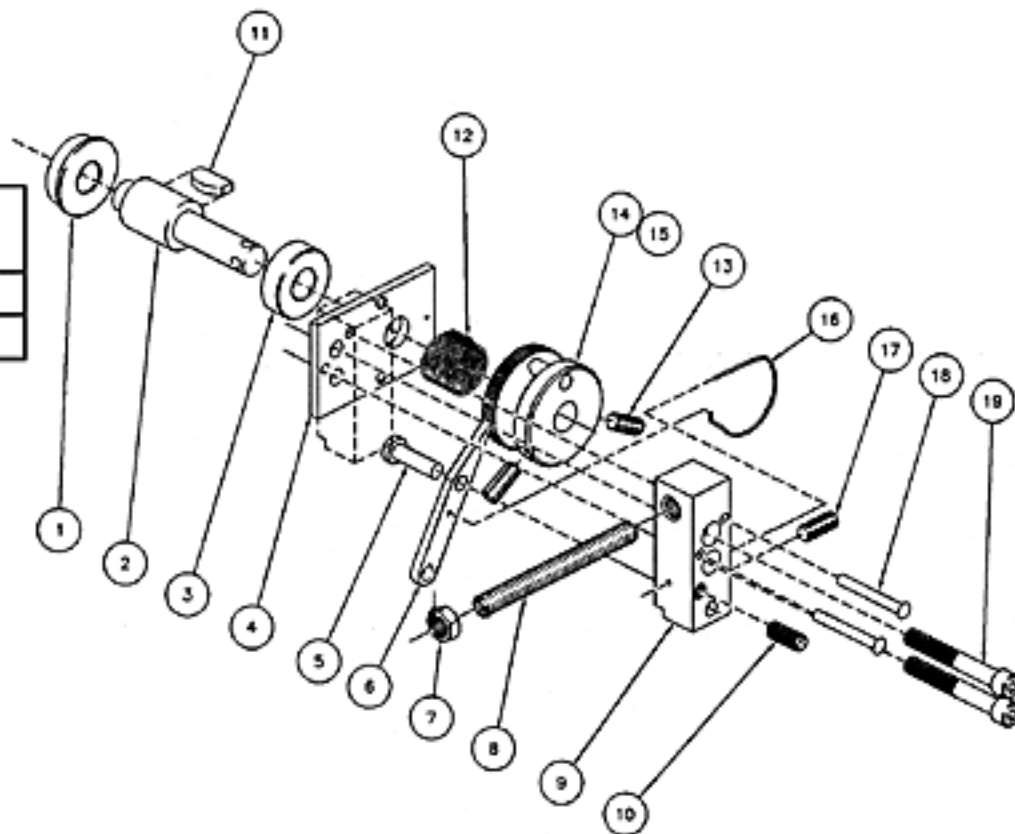


Since 1931

# New Method Steel Stamps, Inc.

31313 Kendall Ave, P.O. Box 338 – Fraser, Michigan 48026 – USA  
 (586) 293-0200 \* (800) 582-0199 – Fax (586) 296-1900 .Email: info@newmethod.com

## 550 POWER PAK



USED ON
500-C
521

19	1013	2	SOCKET HEAD CAP SCREW
18	1014	2	RIVETS
17	1015	1	SET SCREW
16	1007	1	SPRING, RATCHET
15	1002	1	STOP PIN
14	1001	1	CAP
13	1015	2	SET SCREW
12	1006	1	SPRING, ROLL RETURN
11	1012	1	#8 WOODRUFF KEY
10	1015	1	SET SCREW
9	1004	1	BLOCK
8	1019	1	SET SCREW
7	1018	1	JAM NUT
6	1010	1	RATCHET PAWL
5	1011	1	AXLE, RATCHET PAWL
4	1003	1	ASSEMBLY PLATE
3	1008	1	BUSHING
2	1005	1	AXLE
1	1009	1	BUSHING
ITEM#	CAT. #	QTY	DESCRIPTION